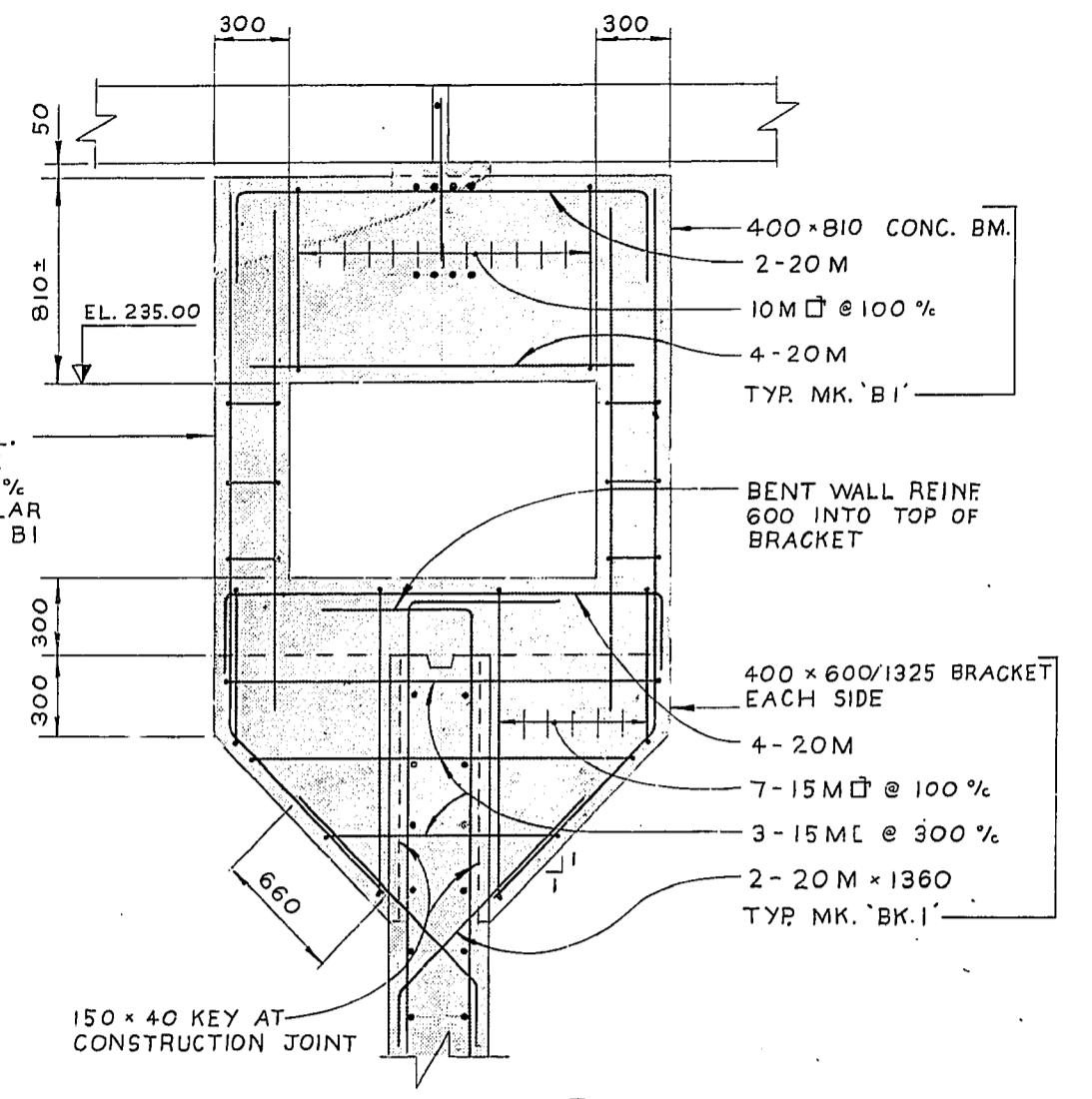
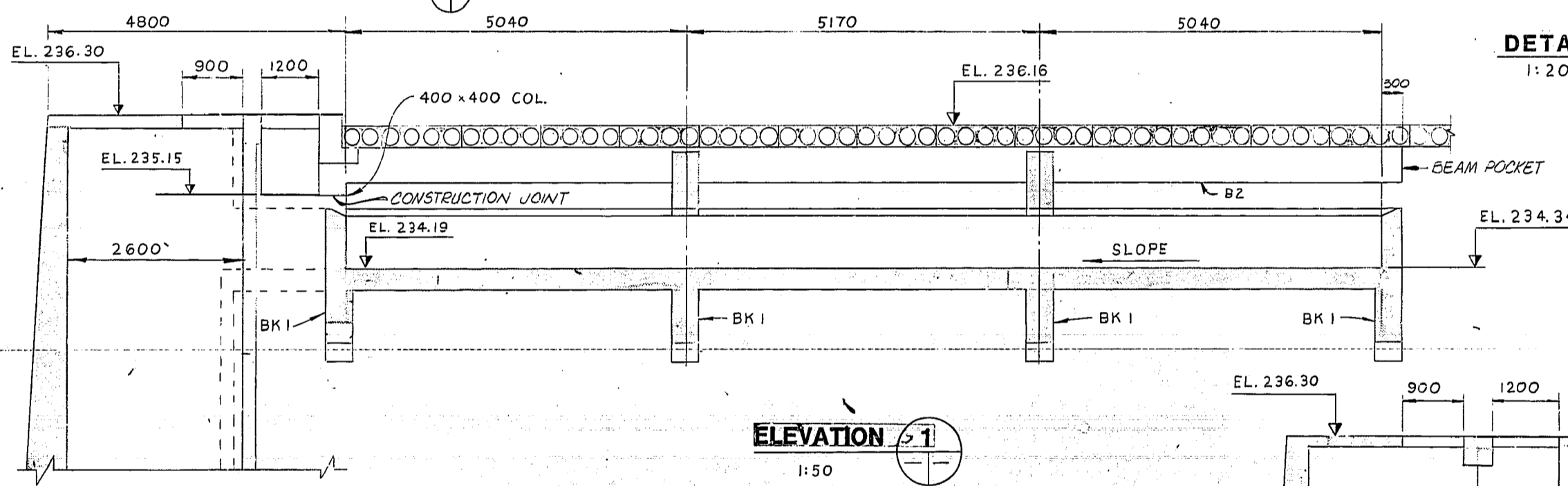


PLAN AT EL. 235.81
1:50

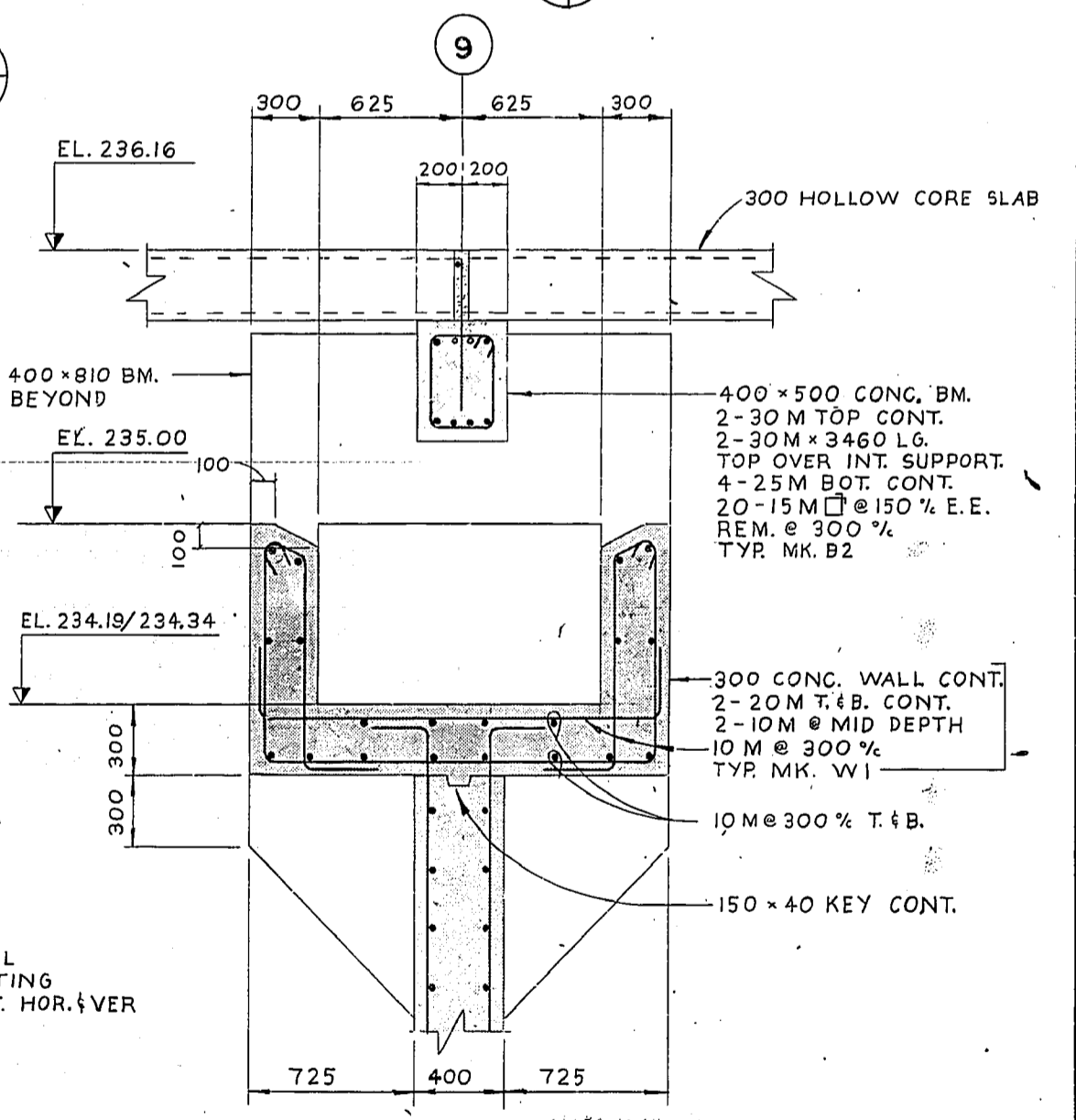


SECTION 6
1:20

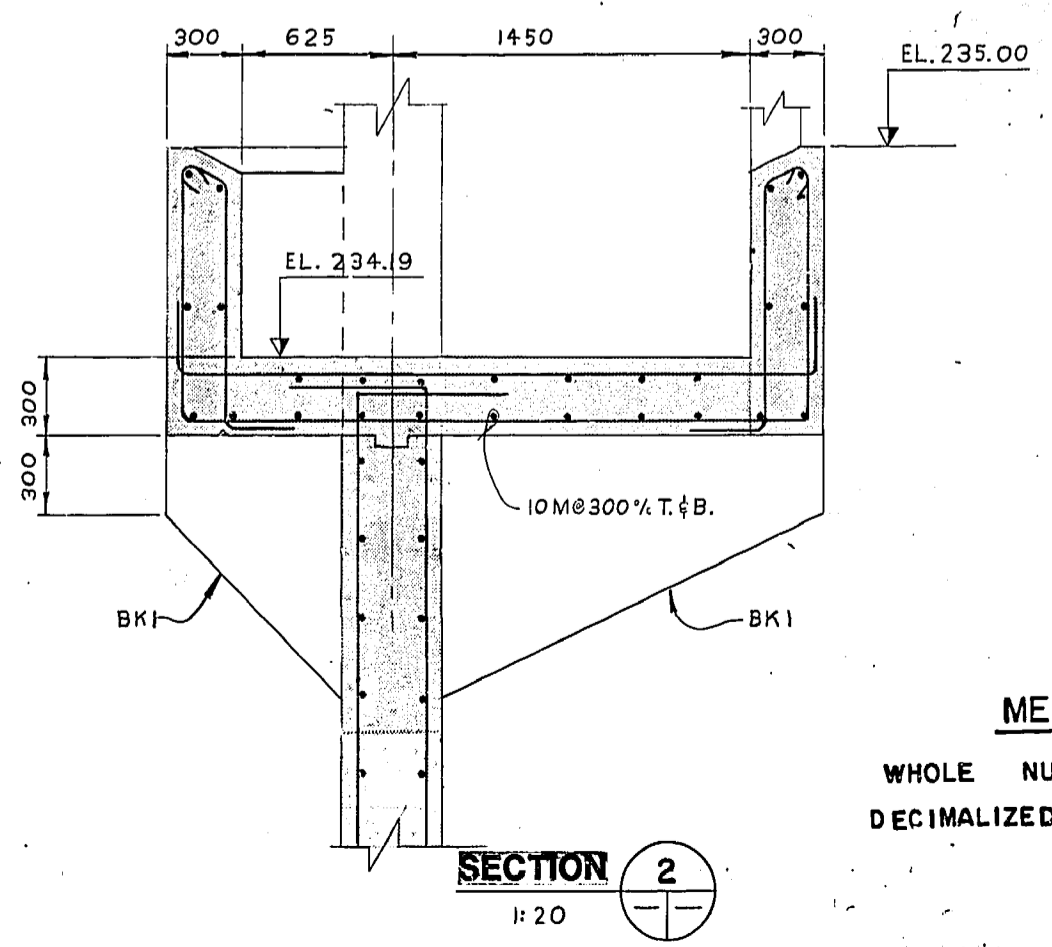


ELEVATION 1
1:50

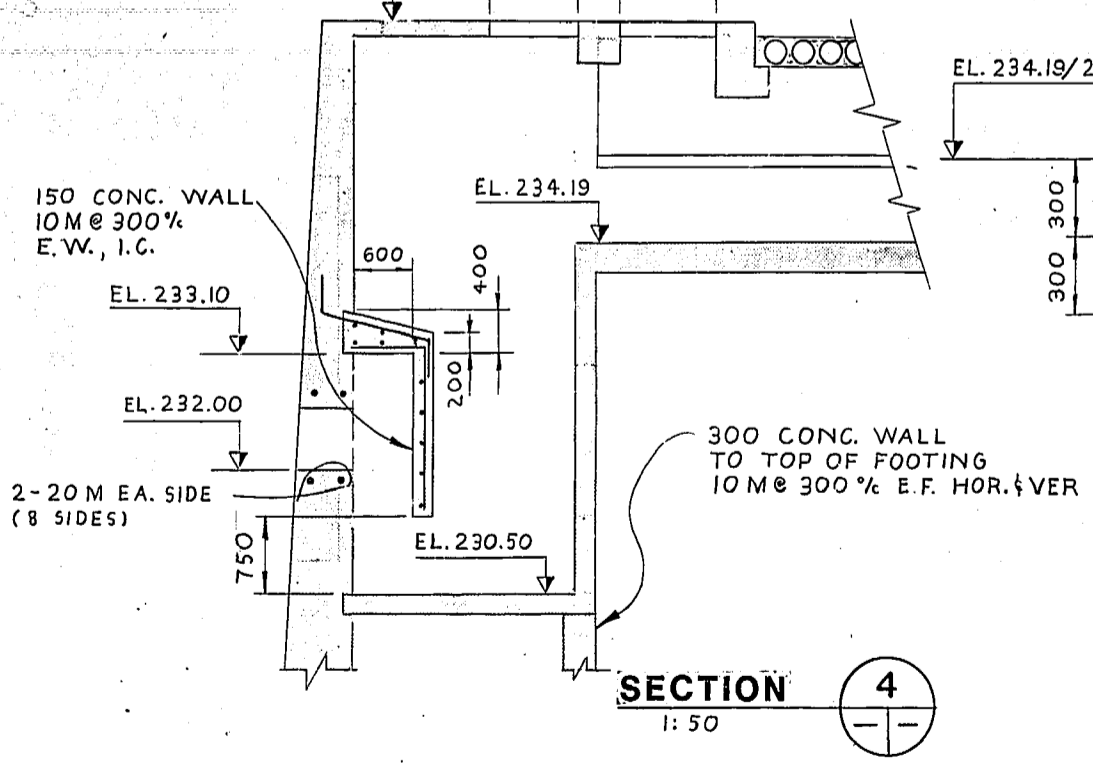
DETAIL A
1:20



SECTION 5
1:20

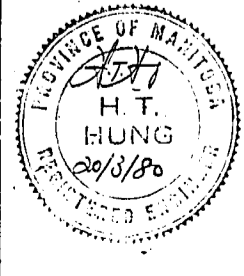
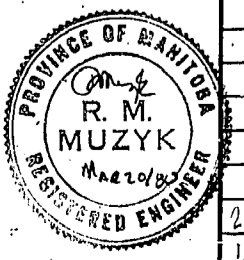


SECTION 2
1:20



SECTION 4
1:50

METRIC NOTES
WHOLE NUMBERS IND. MILLIMETRES
DECIMALIZED EXPRESSIONS IND. METRES



NO.	REVISIONS	DATE	APP.
2	RECORD DRAWING	MM/16/80	EEC
1	ADDENDUM NO. 1	22 APR 80	EE

Underwood McLellan Ltd.
Consulting Engineers and Planners

DESIGNED BY: H.T.H. DRAWN BY: G.S.H.
CHECKED BY: [Signature] DATE: MARCH 20, 1980
APPROVED BY: [Signature] DATE: 20/3/80

THE CITY OF WINNIPEG
WORKS & OPERATIONS DEPARTMENT
WATERWORKS WASTE & DISPOSAL DIVISION

WILKES AVENUE RESERVOIR RECONSTRUCTION
OVERFLOW WEIR PLAN AND SECTIONS

RELEASED FOR CONSTRUCTION: [Signature] DATE: 20/03/80
SCALE: AS NOTED DRAWING NO: **WIL-22**
REV. 2